



VDC Display Systems

PROJECTING THE FUTURE

**JOINT TERMINAL ATTACK
CONTROLLER (JTAC) /
SUPPORTING ARMS
VIRTUAL TRAINER (SAVT)**

COMPLETE TRAINING SOLUTIONS

Complete Visual System Designed to Your Requirements

- Resolution
- Contrast
- Budget
- Brightness
- Night Vision

Custom Screen Fabrication

- Sizes from 4ft Radius (10.7ft Standard)
- Optimized Screen Gain for Your Application

Automatic Calibration

- Automated Image Blending and Warping
- Autonomous Mechanical Edge Blending for Night Training
- Optional Automatic Color Balancing System

Ancillary Equipment

Select from a Complete Suite of Training Equipment

Expertise

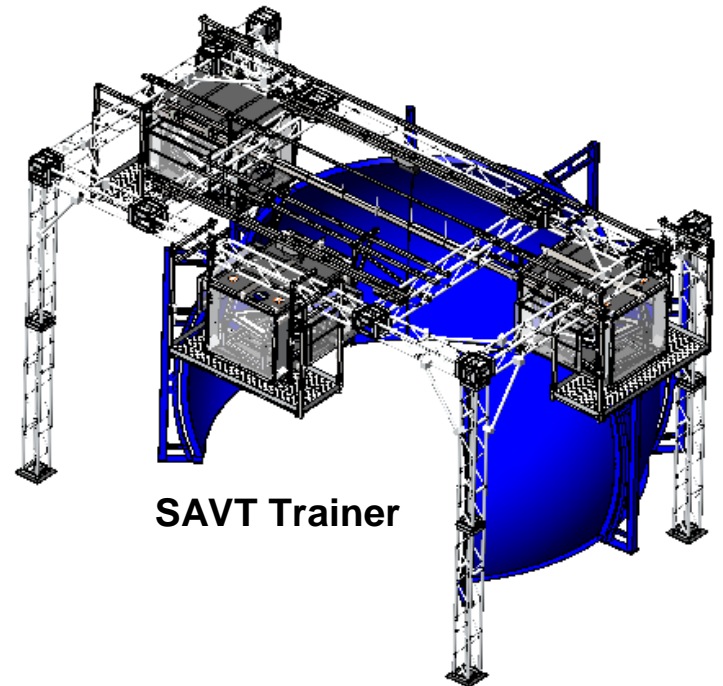
Wide selection of Projection Technologies, Customized for Your Trainer

INSTALLED TECHNOLOGY

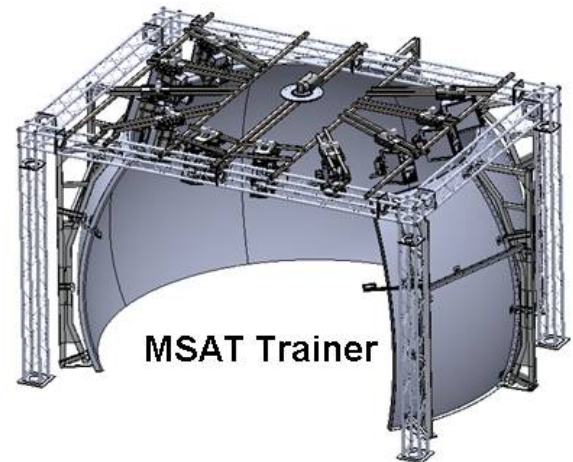
Sony SRX T105 LCoS
4K x 2K (SAVT)



Marquee® HD SSL6200U
DLP/LED (MSAT)



SAVT Trainer



MSAT Trainer

VDC Display Systems

7177 N. Atlantic Avenue
Cape Canaveral, Florida 32920 USA
Tel: +321.784.4427 | Fax: +321.784.6617
Email: Sales@vdcads.com

Joint Terminal Attack Controller / Supporting Arms Virtual Trainer

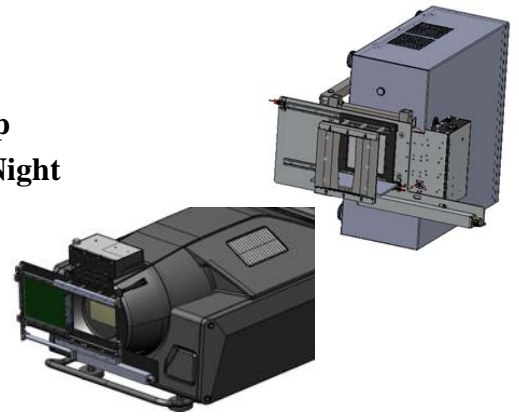


AUTOMATIC CALIBRATION FEATURES

- Easy to Use GUI provides Technology and Tools Control
- Simplistic Camera-based Calibration Enables Fast, Easy Set Up
- Mechanical Edge Blends Provide Stray Light Solution during Night Scenes (above right)



1. VECTOR 2 I (Laser Range Finder)
2. GLTD II (Laser Designator)
3. IZLID-1000 (Infrared Pointer)
4. DAGR (GPS Locator)

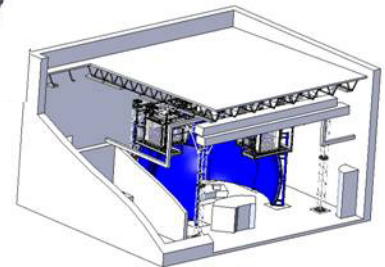
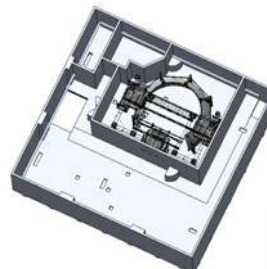


ANCILLARY EQUIPMENT

- Instructor Operating Stations
- Student Training Stations
- Wide Training Equipment Array
- Complete Tools Integration to Visual System

COMPLETE SYSTEM INTEGRATION

From Building Construction through Training, VDCDS Supports Complete Integration of Your Trainer



VDC Display Systems

7177 N. Atlantic Avenue, Cape Canaveral, Florida 32920 USA
Tel: +321-784-4427 | Fax: +321-784-6617
Email: Sales@vdcds.com

www.vdcds.com