

SONY

make.believe

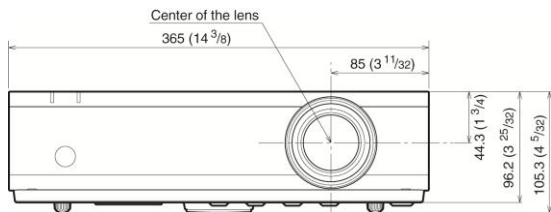
Data Projector VPL-EX275

Key Features

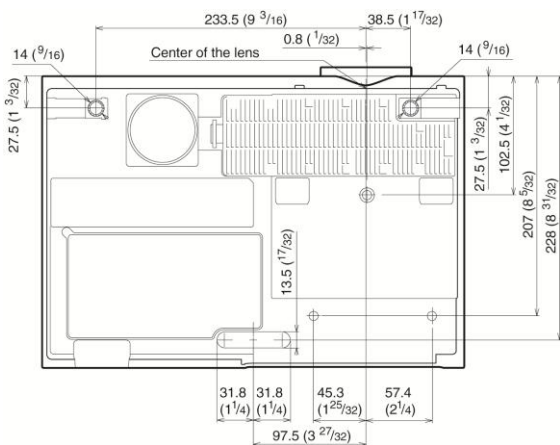
- 3,700 lumens (ISO 21118)
- Native XGA (1,024x768) resolution
- High contrast ratio
- Bright Era® panel
- Flexible 1.5x manual zoom standard lens
- Long-lasting lamp
Recommended lamp replacement time 7000h (low mode)
- Synchronized lamp and filter maintenance cycle
- Energy efficient design
 - Auto power saving mode
 - Blank with lamp dimming
 - 4 lamp mode (High, Std, Low, Auto*)
 - *Auto lamp control by picture brightness
 - ECO MODE key
- Convenient terminals including HDMI, RS-232C and RJ-45
- 16W Speaker
- USB display
- USB media viewer
- Wireless capability (option)

Dimensions (Front)

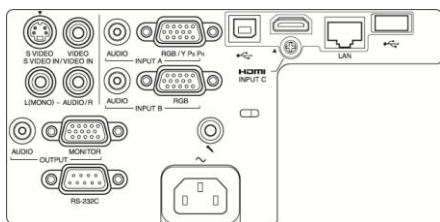
Unit: mm (inches)



Dimensions (Bottom)



Connector Panels



XGA / 3,700 lm

Optical		
Light Output / Color Light Output	3700 lumens (Lamp mode: High) 2700 lumens (Lamp mode: Standard) 2100 lumens (Lamp mode: Low)	
LCD Panels	0.63"x3 BrightEra LCD Panel	
Panel Display Resolution	XGA (1024x768 dots)	
Contrast Ratio	3,000:1 (Full white/full black)* ¹	
Light Source	Ultra high-pressure mercury lamp 210 W type	
Recommended Lamp Replacement Time* ²	3000H (Lamp mode: High) 5000H (Lamp mode: Standard) 7000H (Lamp mode: Low)	
Filter Cleaning Cycle* ²	Max. 7000H Same time as the lamp replacement is recommended	
Projection Lens	Zoom / Focus	Approx. 1.6x Manual Zoom / Manual Focus
	Throw Ratio	1.40:1 to 2.27:1
Screen Size	30" to 300"	
Interface		
Computer and Video Input/Output	INPUT A	Mini D-sub 15-pin (RGB/Y Pb Pr) Audio: Stereo mini jack
	INPUT B	HDMI (Digital RGB/Y Pb Pr, Digital Audio) (HDCP support)
	VIDEO IN	Pin Jack Audio : Pin jack (x2) (shared with S VIDEO IN)
	S VIDEO IN	Mini DIN 4-pin Audio : Pin jack (x2) (shared with VIDEO IN)
	Monitor OUT	Mini D-sub 15-pin (from INPUT A and INPUT B)
	Audio OUT	Stereo mini jack (variable out)* ³
Other Signal Input/Output	RS-232C	D-sub 9-pin (male)
	LAN	RJ-45, 10BASE-T/100BASE-TX
	Other	USB Type-A, USB Type-B
General		
Speaker	16W (mono)	
Scanning Frequency	H: 19 to 92 kHz, V: 48 to 92 Hz	
Display Resolution	Computer Signal Input	Maximum display resolution : UXGA 1600x1200 dots
	Video Signal Input	Video (Composite), 15k (480/60i, 575/50i), DTV (480/60p, 575/50p, 720/60p, 720/50p, 1080/60i, 1080/50i, 1080/60P, 1080/50P)
Color System	NTSC3.58, PAL, SECAM, NTSC4.43, PAL-M, PAL-N	
UPC Code	0 27242 85412 3	
Power Requirements	AC 100 V to 240 V, 3.1 A to 1.3 A, 50 Hz/60 Hz	
Power Consumption	306 W (AC 100 V-120 V) 298 W (AC 220 V-240 V)	
Standby Mode Power Consumption	5.9 W (Std) / 0.1 W (Low) (AC 100V-120 V) 5.9 W (Std) / <0.5 W (Low) (AC 220V-240 V)	
Dimensions (WxHxD) (without protrusion)	365 x 96.2 x 252 mm 14 3/8 x 3 25/32 x 9 29/32 "	
Mass	4 kg / 8 lb 11 oz	
Optional Accessories		
Replacement Lamp	LMP-E212	
USB wireless module	IPN-WLN3	
Service Parts		
Replacement Filter	4-426-702-01 (FILTER) (Filters are cleanable)	
Replacement Remote	1-490-463-11 (RM-PJ8)	

*¹ The value is average with lamp dimming.

*² The figures are expected maintenance time and not guaranteed. They will depend on the environment or how the projector is used.

*³ Works as an audio switcher function. Output from a selected channel, not available in standby.

For more information, visit: www.sony.com/projectors