

SONY

make.believe

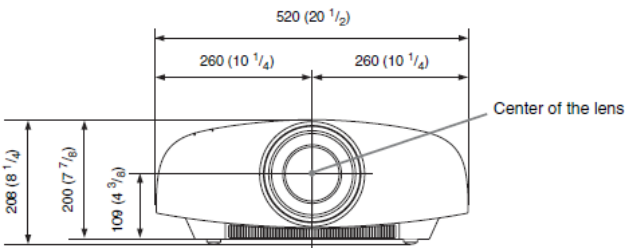
4K Home Theater Projector VPL-VW1000ES

Key Features

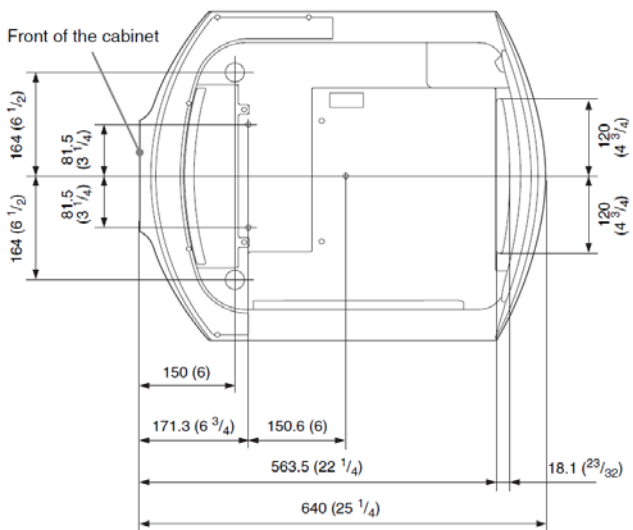
- Immersive, vibrant picture quality
4K resolution / 2000 lm for vibrant images / Deep black by SXRD™
1,000,000:1 dynamic contrast / Wide color space
- Precise picture quality
New lens technology / Panel alignment expertise
- "Reality creation" 4K upscaling
- Flexible throw range
Best throw ratio 1.27:1 to 2.73:1 / 2.1 x powered zoom
- Flexible lens shift
Vertical: 80% / Horizontal: 31%
- Built-in 3D transmitter
- Home automation Interface control over IR, RS232C, and RJ-45
- 5 Picture position memory
- Powerful picture calibration features, including dark room and ambient room.
- Whisper-quiet fan 22dB
- Simultaneous anamorphic and 3D viewing

Dimensions (Front)

Unit: mm (inches)



Dimensions (Bottom)



4K / 2,000 lm

Optical		
Light Output	2000 lumens	
LCD Panels	0.74"x3 SXRD Panel	
Panel Display Resolution	4096x2160 dots	
Contrast Ratio*1	1,000,000:1 (Dynamic Contrast)	
Light Source	Ultra High Pressure Lamp 330 W type	
Recommended Lamp Replacement Time*2	2000H (Lamp mode: High) 2500H (Lamp mode: Low)	
Projection Lens	Zoom / Focus	Approx. 2.1x Powered Zoom / Powered Focus
	Lens Shift	Powered, Vertical +/- 80% Horizontal +/- 31%
	Throw Ratio	1.27:1 to 2.73:1
Screen Size	60" to 300"	
Interface		
Input/Output	HDMI (2 inputs)	Digital RGB/Y Pb/Cb Pr/Cr
	Y Pb/Cb Pr/Cr	Component: phono type
	INPUT A	Mini D-sub 15-pin (RGB)
	Trigger (2 connectors)	Mini jack, DC 12V Max. 100mA
	Remote	RS-232C, D-sub 9-pin (female)
	LAN	RJ-45, 10BASE-T/100BASE-TX
	IR IN	Mini Jack
	3D Sync	RJ-45
General		
Scanning Frequency	H: 19 to 72 kHz, V: 48 to 92 Hz	
Display Resolution	Computer Signal Input	Maximum display resolution : 1920x1080 dots
	Video Signal Input	480/60i, 576/50i, 480/60p, 576/50p, 720/60p, 720/50p, 1080/60i, 1080/50i The following items are available for HDMI input only. 1080/60p, 1080/50p, 1080/24p, 3840 x 2160/24p, 3840 x 2160/25p, 3840 x 2160/30p, 4096 x 2160/24p
UPC Code	0 27242 84018 8	
EAN / JAN Code	49 05524 83850 3	
Power Requirements	AC 100 V to 240 V, 4.8 A to 2.0 A, 50 Hz/60 Hz	
Power Consumption	480 W (AC 100 V)	
	470 W (AC 120 V)	
	460 W (AC 220 V-240 V)	
Standby Mode Power Consumption	3.5 W (Std) / 0.3 W (Low) (AC 100V)	
	3.5 W (Std) / 0.3 W (Low) (AC 120 V)	
	3.9 W (Std) / 0.4 W (Low) (AC 220V-240 V)	
Dimensions (WxHxD) (without protrusion)	520x200x640 mm	
	20 1/2 x 7 7/8 x 25 1/4 "	
Mass	20.0 kg/44 lb 1.5 oz	
Optional Accessories		
Replacement Lamp	LMP-H330	
Service Parts		
Replacement Remote	1-490-070-11 (RM-PJ22)	

*1 The value is average.

*2 The figures are expected maintenance time and not guaranteed. They will depend on the environment or how the projector is used.

Connector Panels

